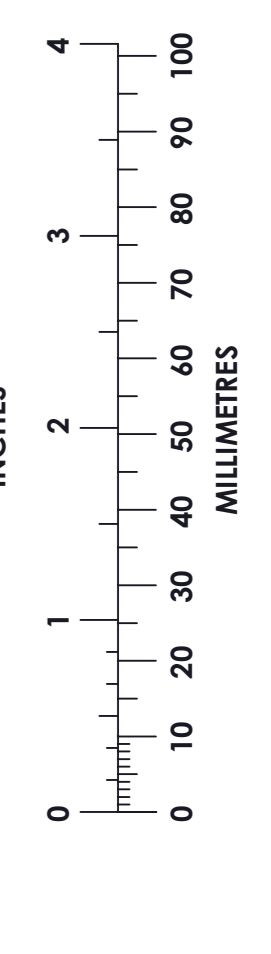
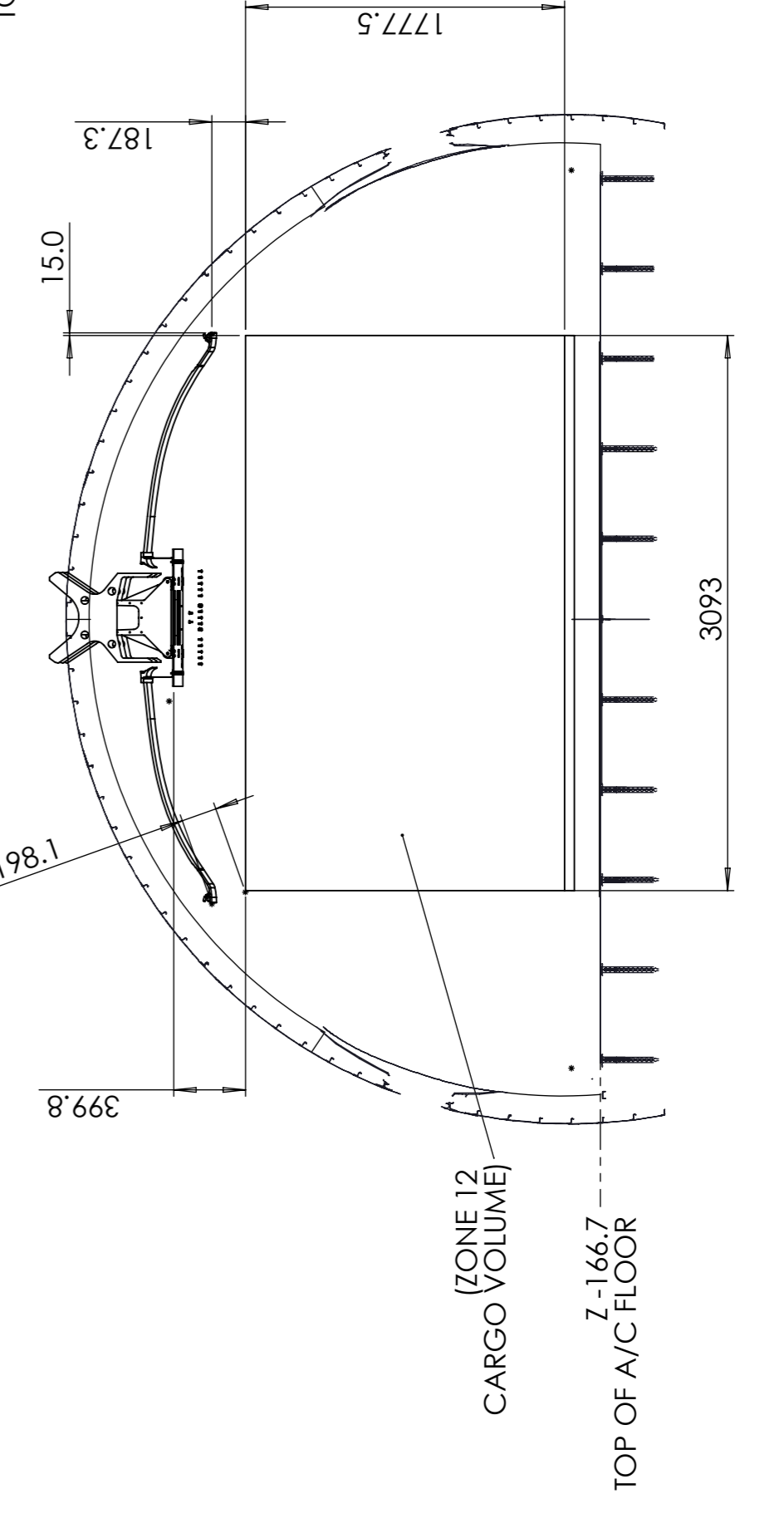
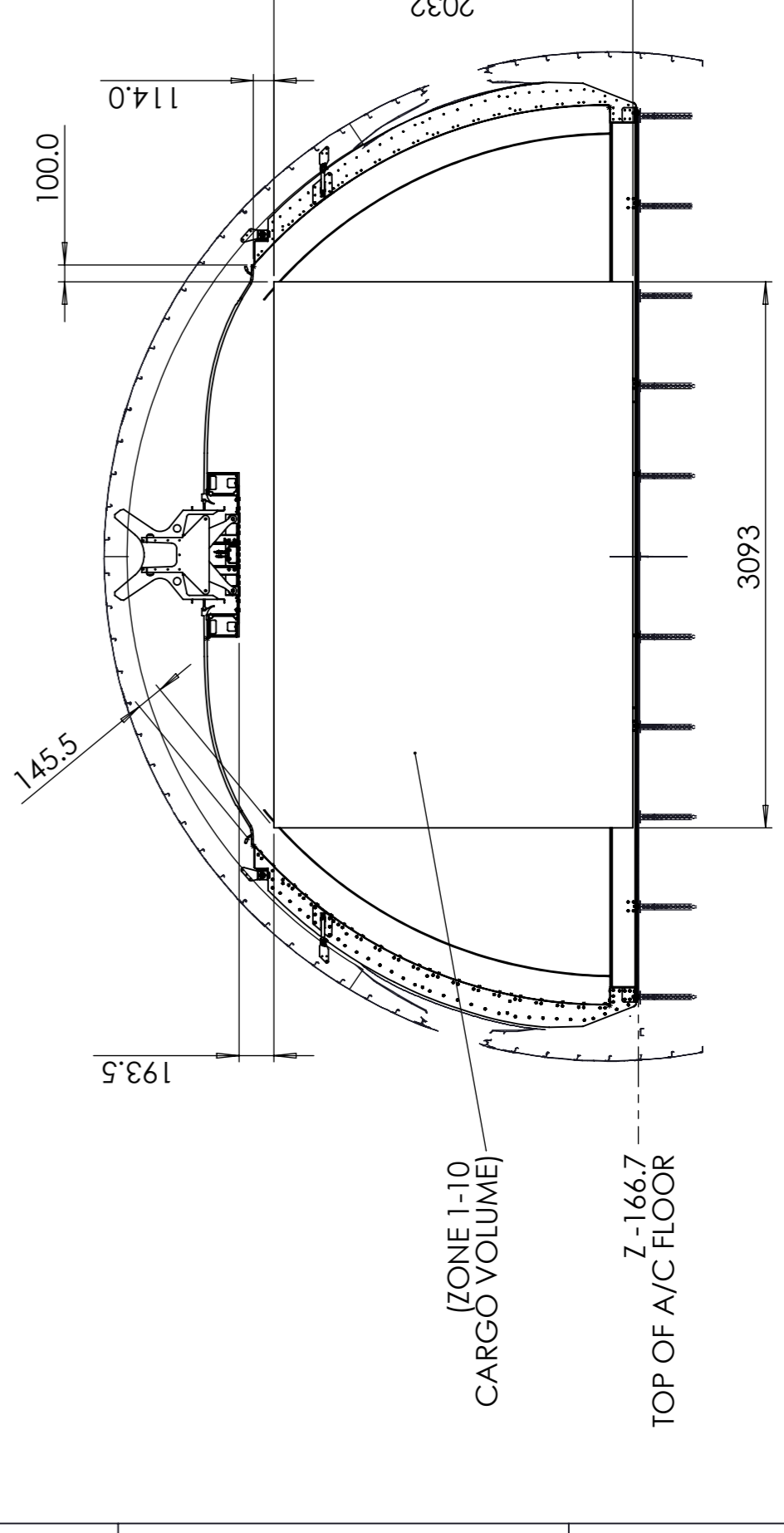
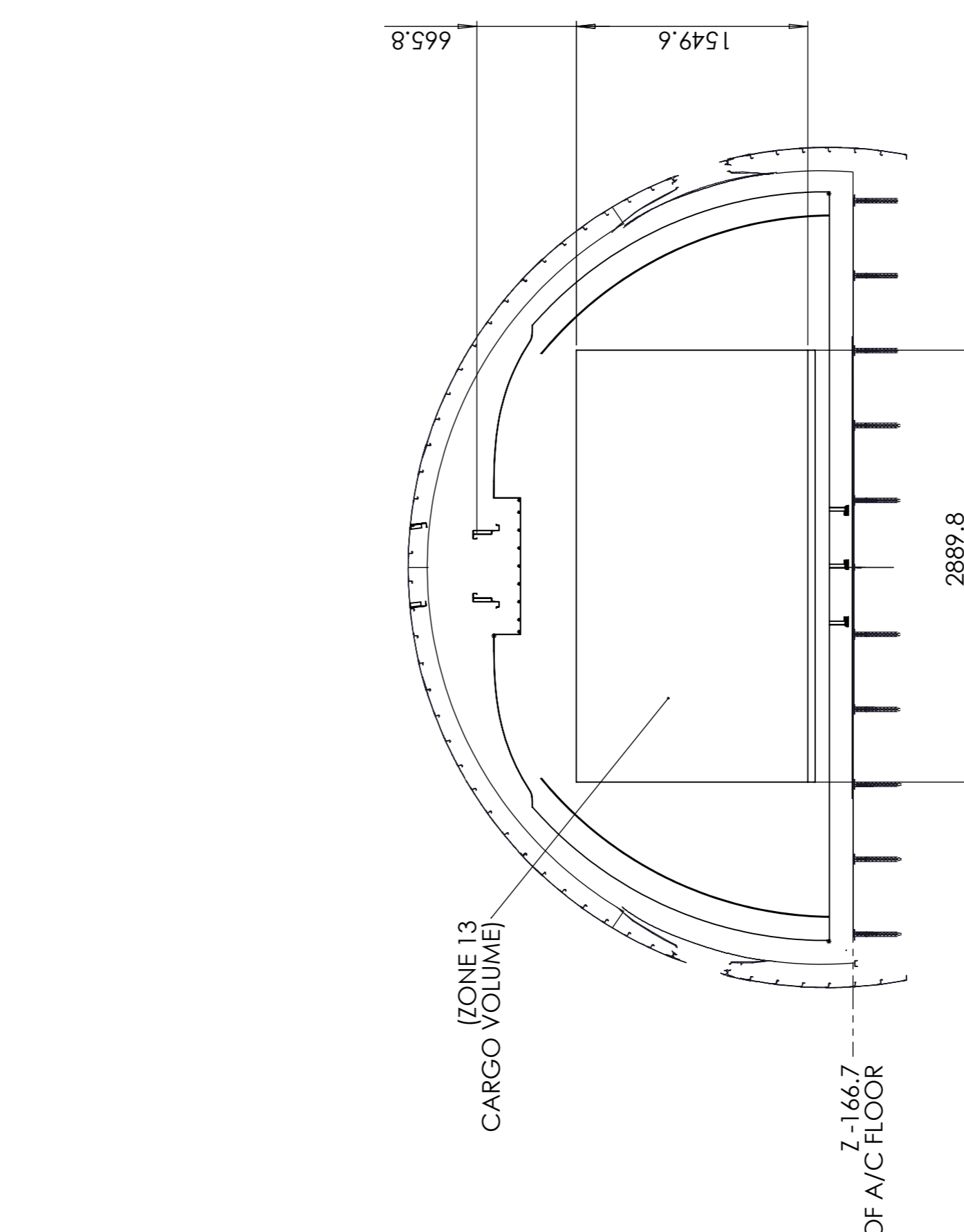
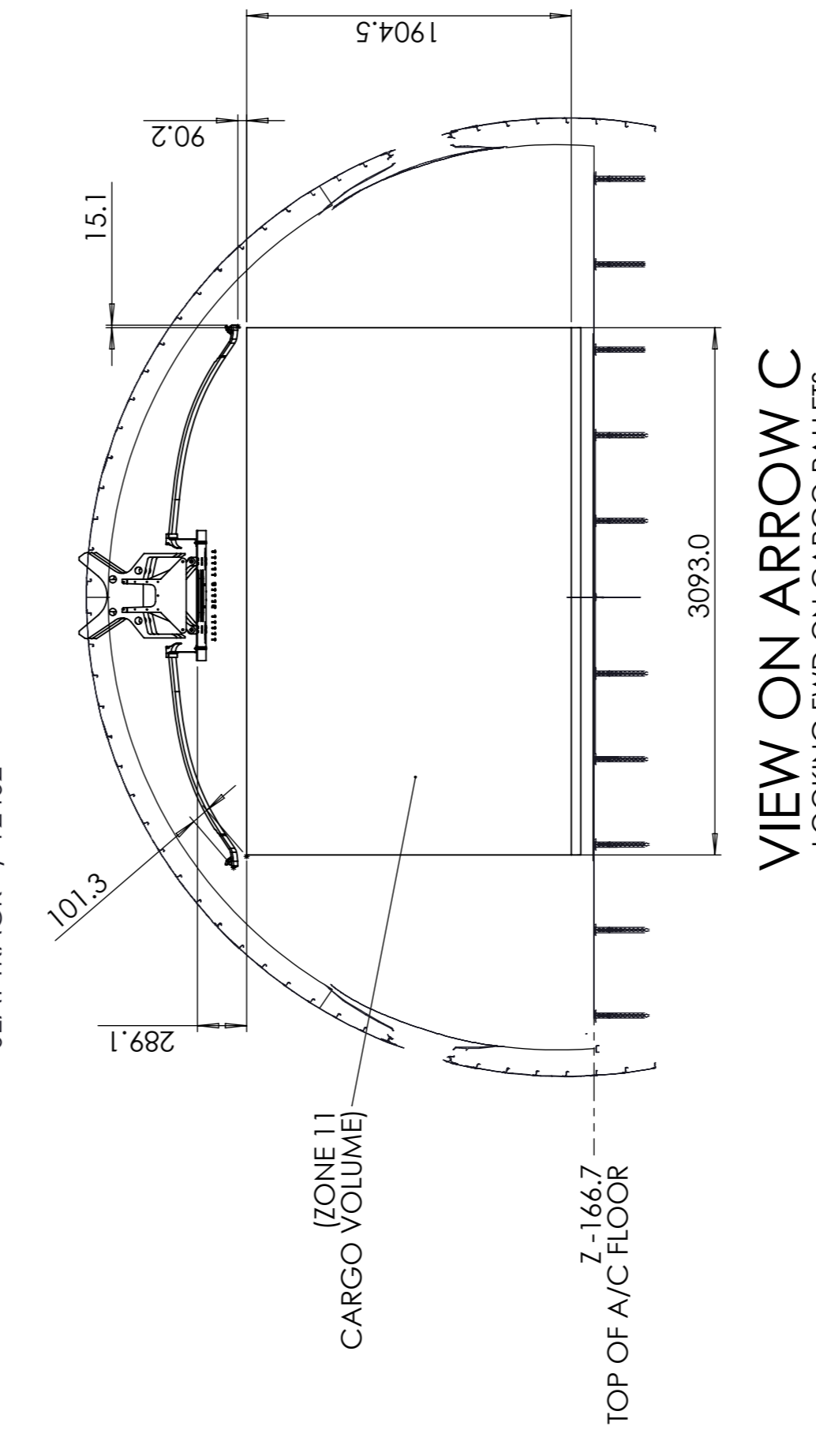
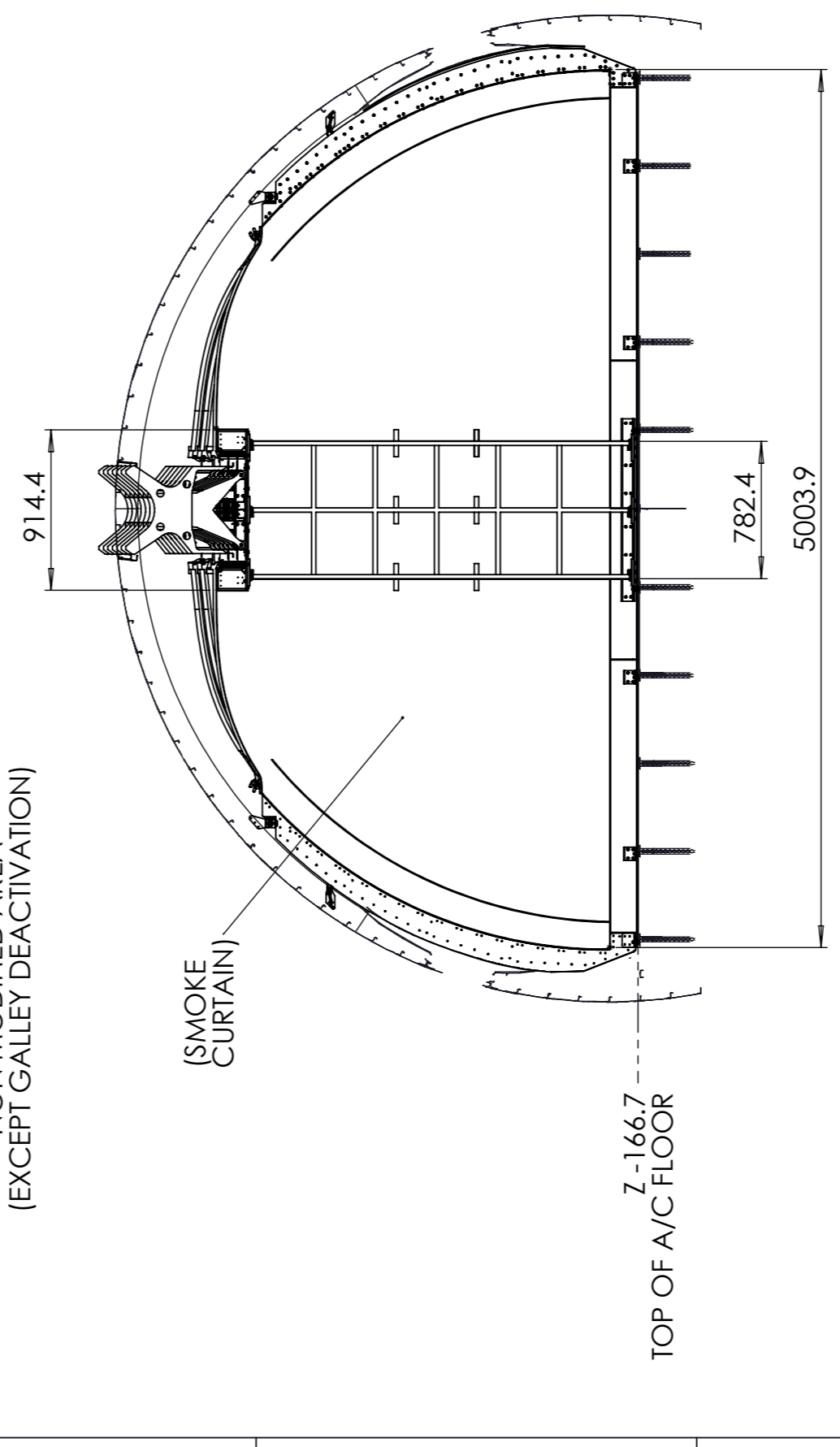
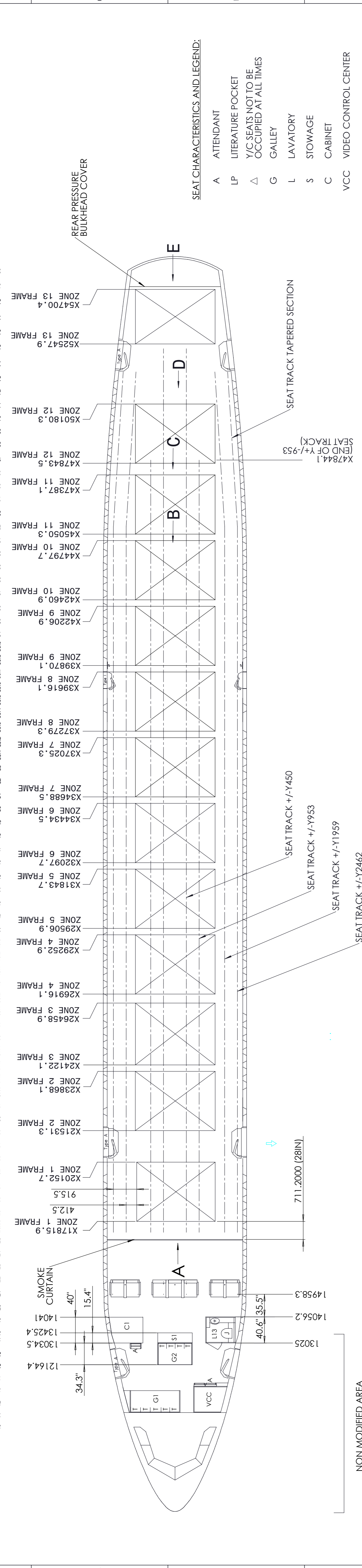


SEAT POSITION	P/N	DESCRIPTION	MANUFACTURER	QTY PER A/C
ROW 1 - LH	869606-403	SEAT B/C MODEL 5810, LH STD DBL, 8" RECL	SAFRAN	1
ROW 1 - CTR	869606-417	SEAT B/C MODEL 5810, CTR STD TPL, 8" RECL		
ROW 1 - RH	869606-404	SEAT B/C MODEL 5810, RH STD DBL, 8" RECL		

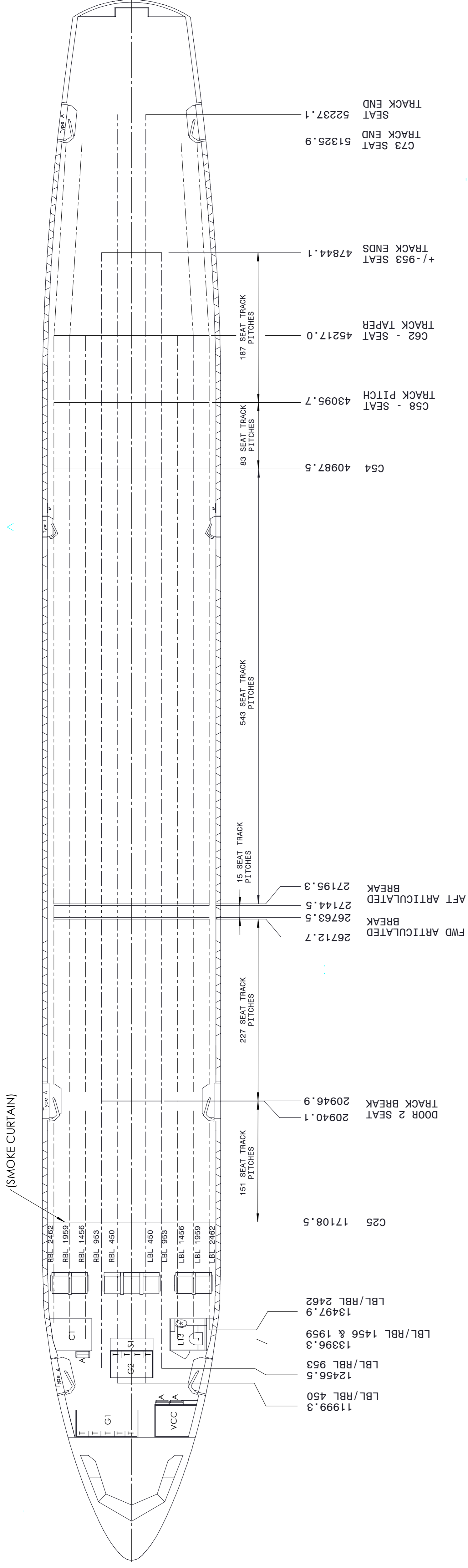


LOPA

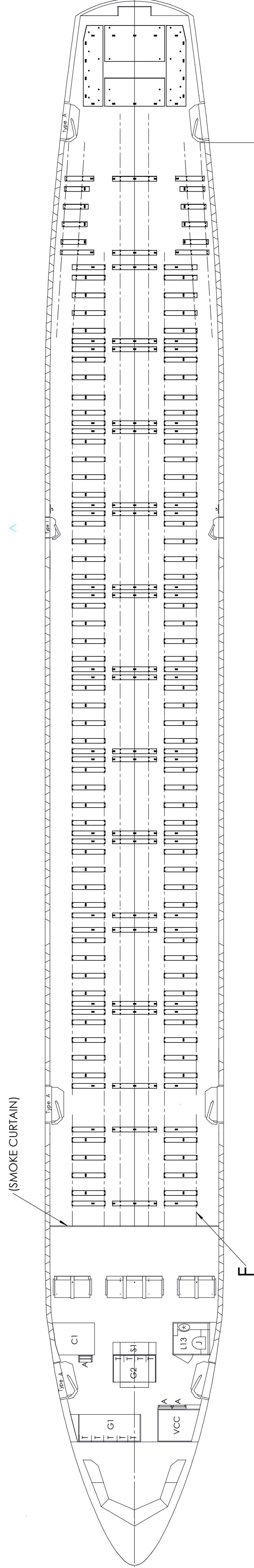
AVENSIS
(C) AVENSIS AVIATION LTD.
PROTECTION ACCORDING TO ISO 140016

PROJECT CODE: **A332H**
DWG SIZE: **A1**
CODE IDENT NO.: **AELF**
SCALE: **1:75**
ISSUE: **A**

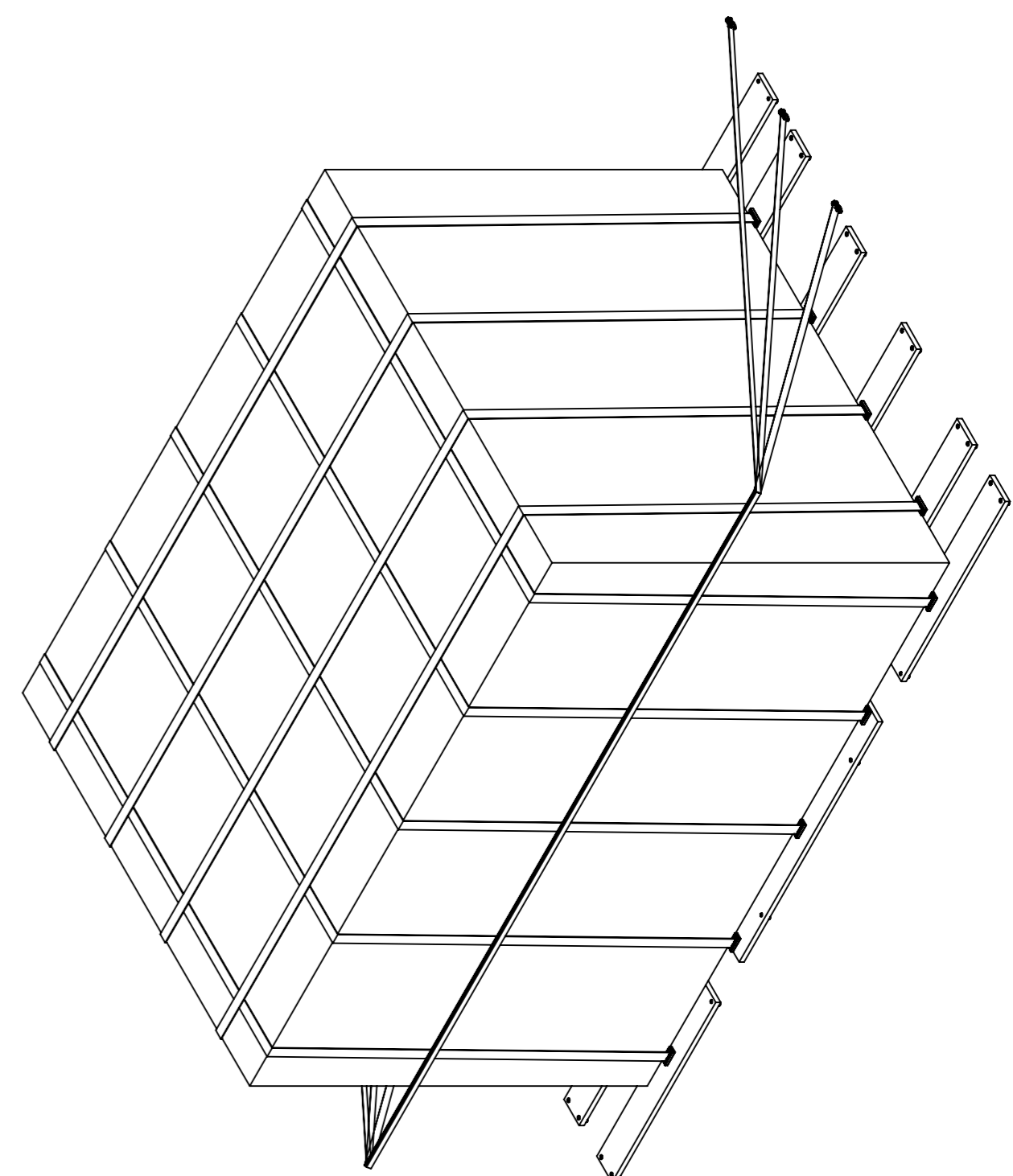
250001-002
SHEET 2 OF 3



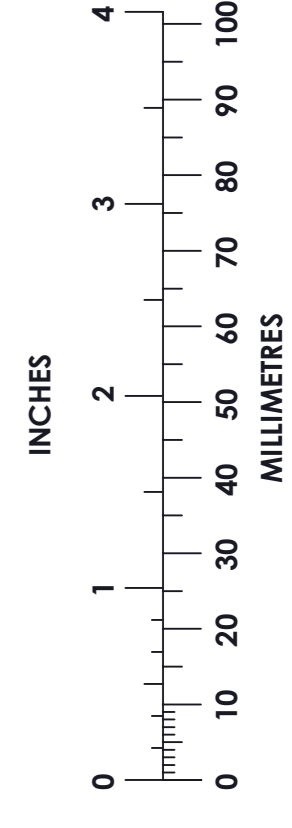
SEAT TRACK LENGTHS



CARGO FRAME PALLETS



TITLE		LOPA		AVENSIS	
PROJECT CODE	DWG SIZE	CODE IDENT NO.	SCALE	ISSUE:	
A332H	A1	AELF	1:75	A	
PROTECTION ACCORDING TO ISO 14016			SHEET 3 OF 3		
DWG NO. 250001-002					



VIEW ON ARROW F
SCALE 1:25