



BOEING 767-200 EXTENDED RANGE SPECIAL FREIGHTER

MSN: **23801 (N999YV) – 23803 (N881YV)**

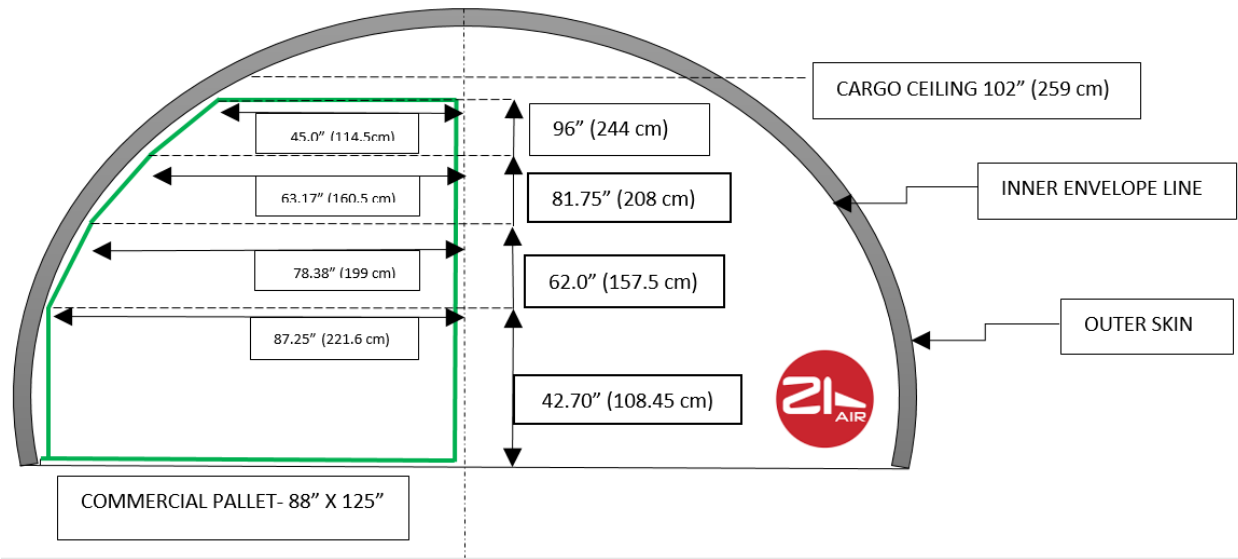
Engines: **General Electric CF6-80C2B2**

Certified Gross Weights		
Description	Pounds	Kilograms
Maximum Taxi Weight (MTW)	352,200	159,755
Maximum Takeoff Weight (MTOW)	351,000	159,210
Maximum Landing Weight (MLW)	283,000	128,367
Maximum Zero Fuel Weight (MZFW)	266,000	120,657
Maximum Structural Payload	97,000	44,000

Certified Aircraft Volume	
Cargo Compartment	Cubic Feet
Main Deck	11,900
Forward Hold	1945
Aft Hold	1623
Bulk	430
TOTAL	15,898 Cu Ft



MAIN DECK CARGO COMPARTMENT CROSS SECTION

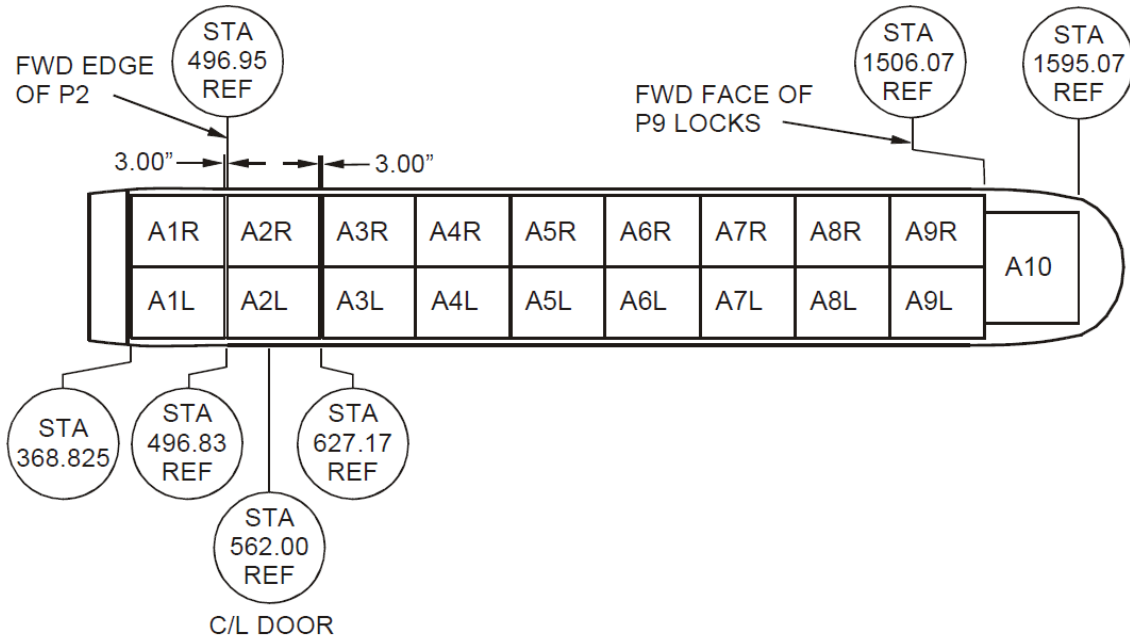
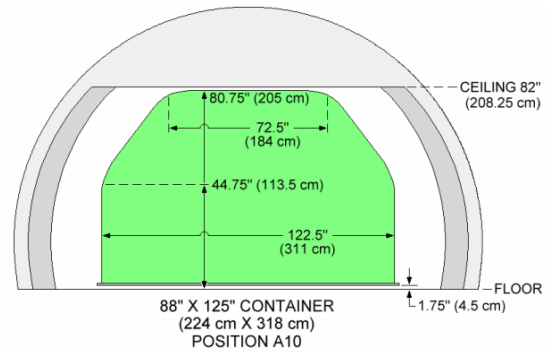
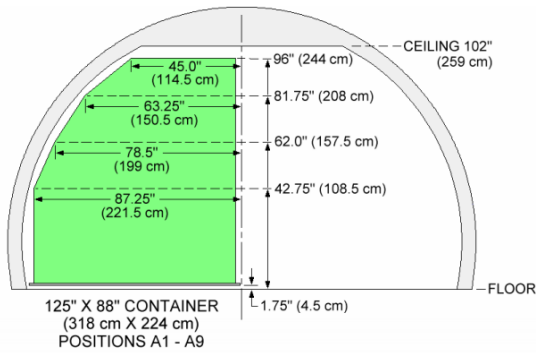




CARGO CONFIGURATIONS

Configuration A

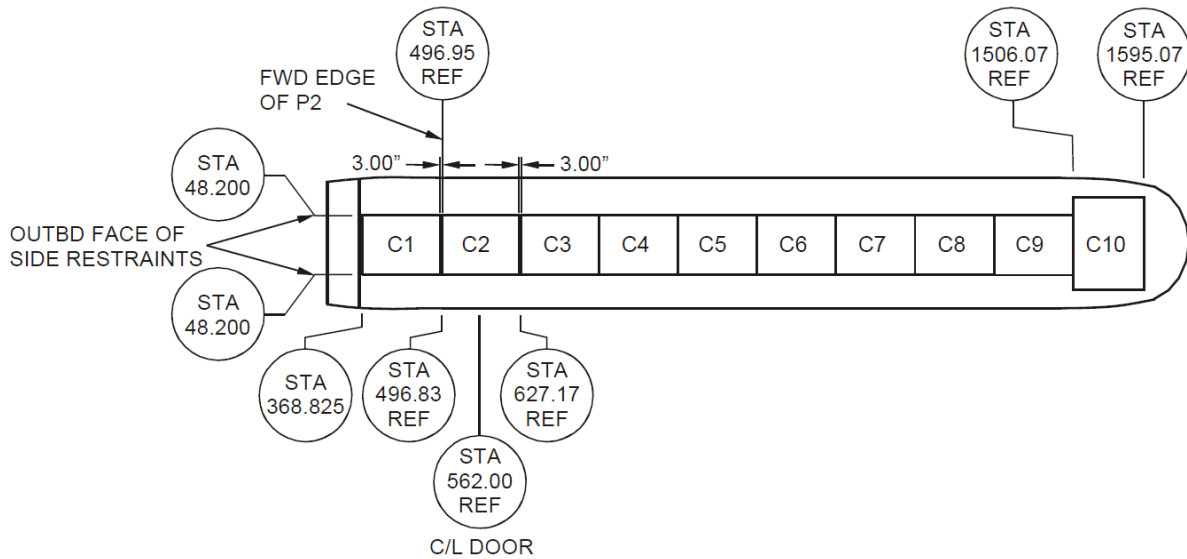
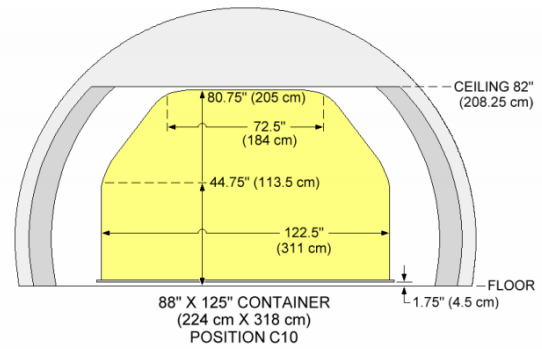
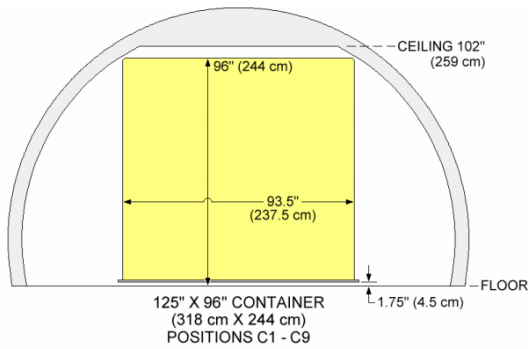
19 Size Code A ULD's (125" x 88")





Configuration C

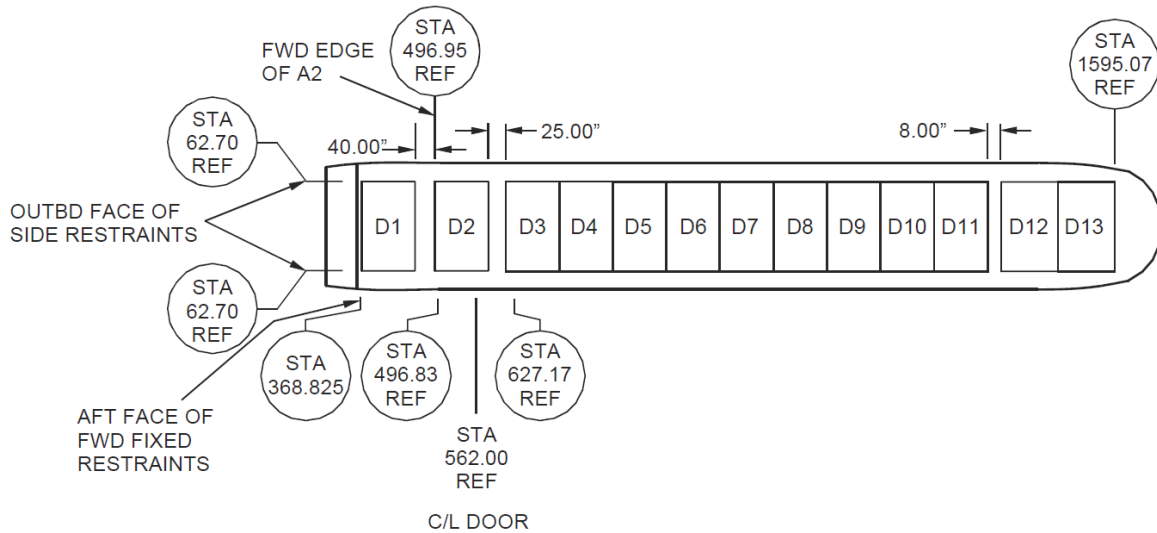
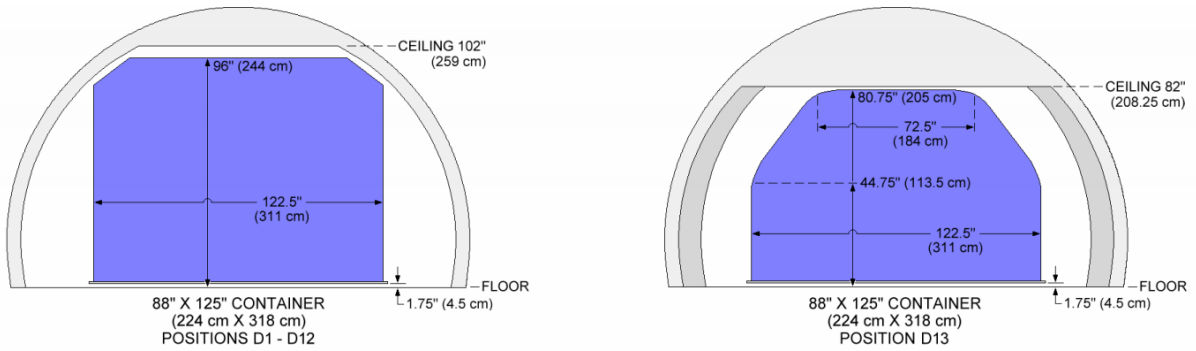
9 Size Code M ULD's (125" x 96") + 1 Size Code A (125" x 88")





Configuration D

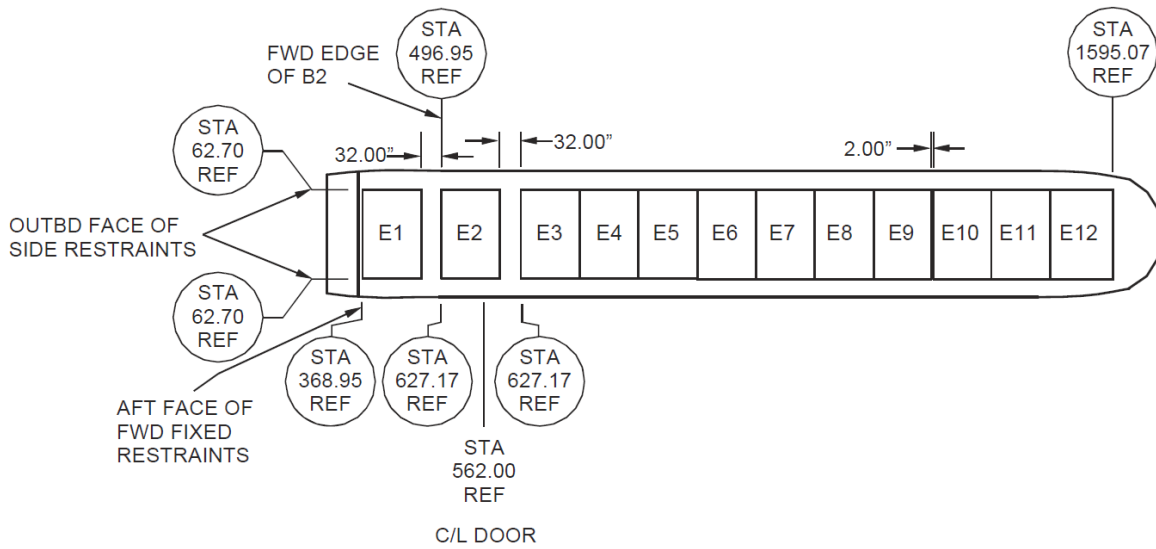
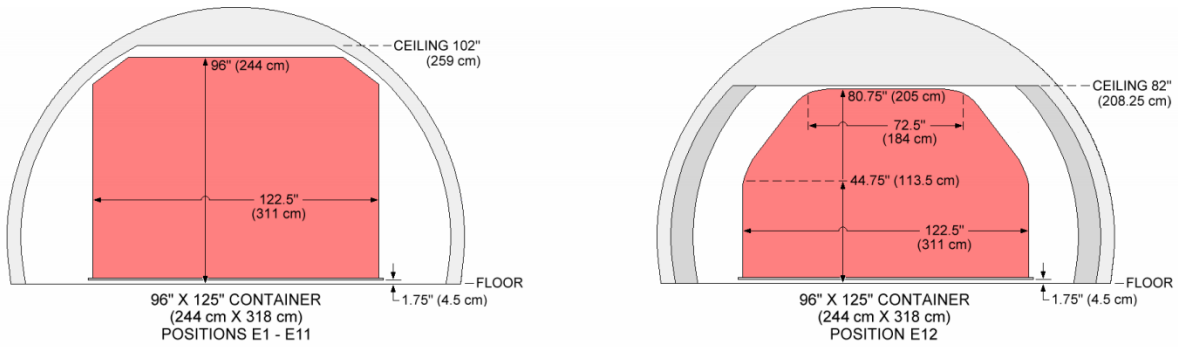
13 Size Code A ULD's (125" x 88") Loaded Transversely





Configuration E

12 Size Code M ULD's (125" x 96") Loaded Transversely





FORWARD LOWER DECK CAPACITY

Cross Section of Forward Hold

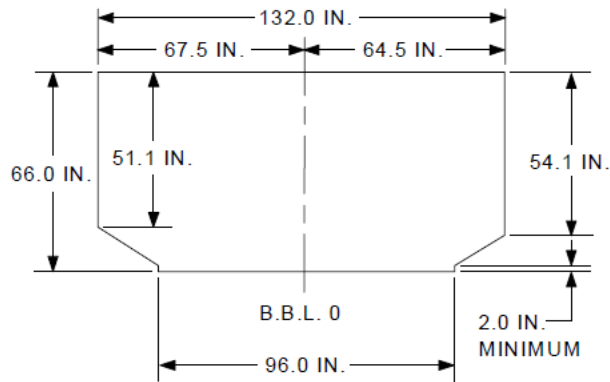
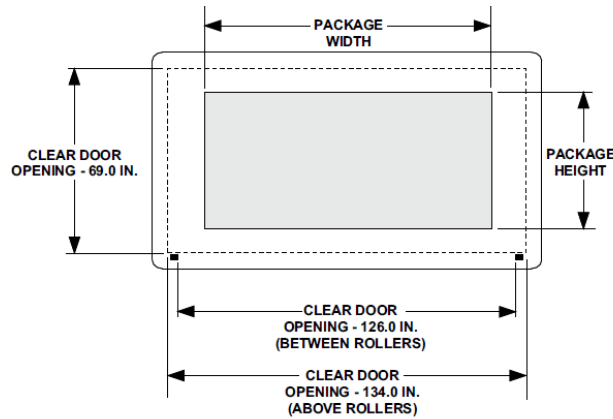


Chart Forward Hold Door Dimensions

Forward Hold Package Size

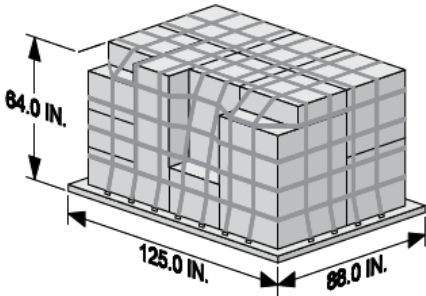
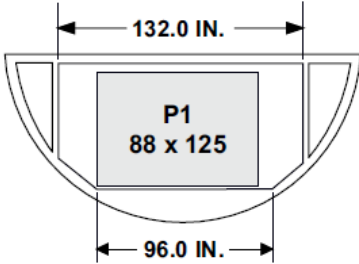
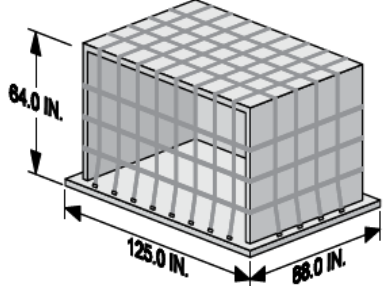
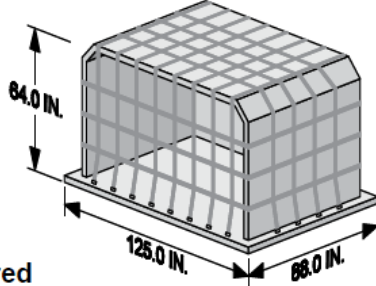
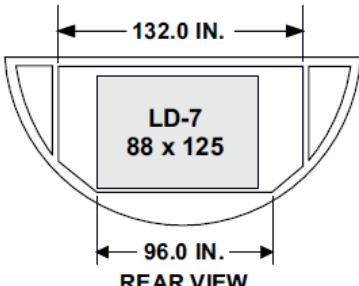


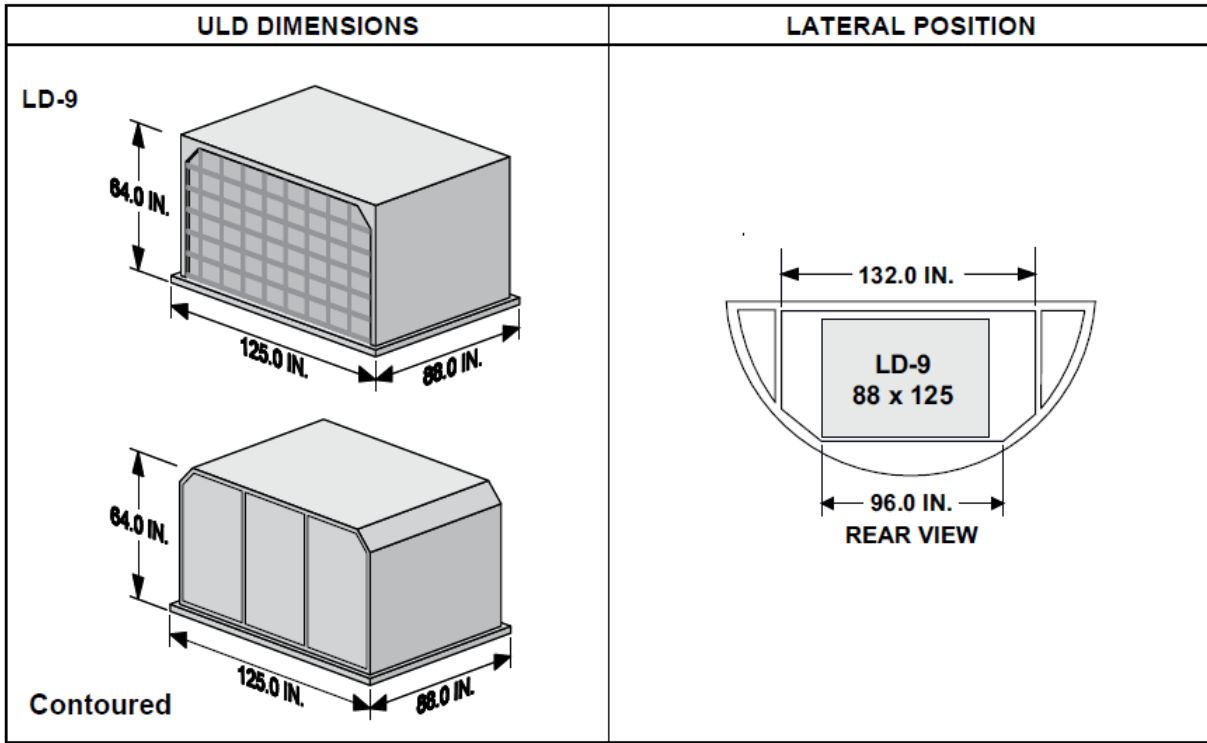
FORWARD COMPARTMENT ALLOWABLE PACKAGE SIZES							
HEIGHT IN.	WIDTH IN.						
	20	40	60	80	100	120	134
	LENGTH IN.						
63.5 - 66.0	251	245	196	152			
63.4	257	257	223	180	145		
60.0	257	257	239	193	156		
55.0	257	257	257	209	170	141	
50.0	257	257	257	220	180	150	
40.0	257	257	257	220	183	154	



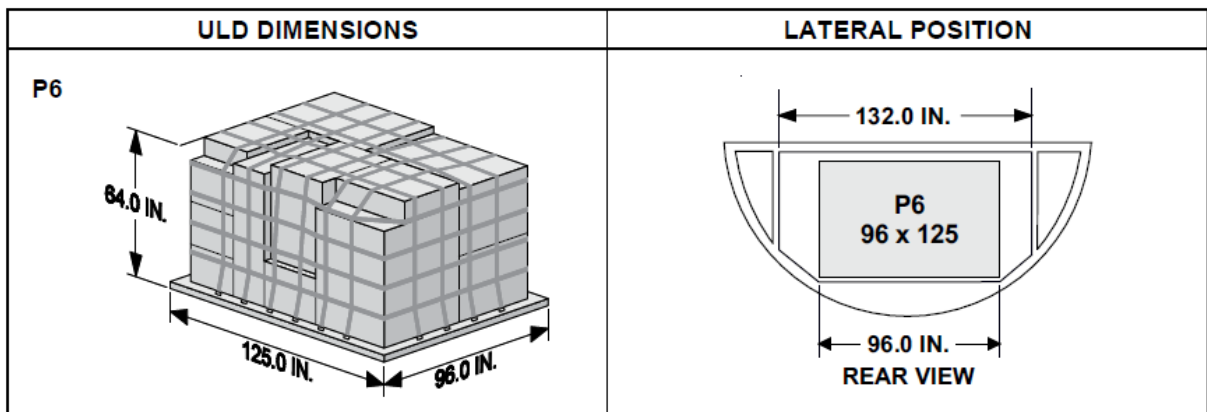
Certified ULD's for Forward Hold

Size Code A

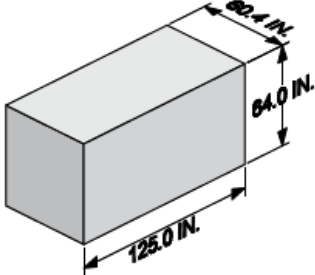
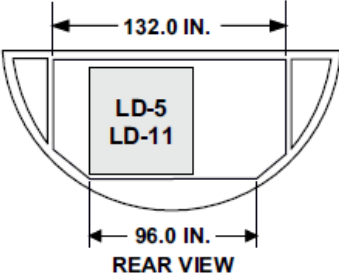
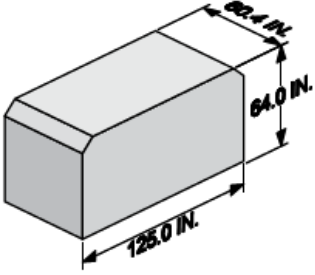
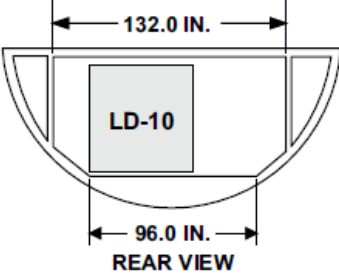
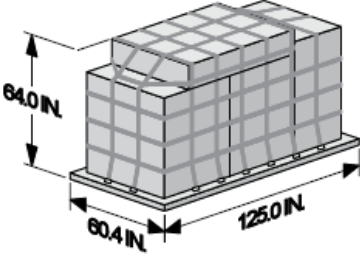
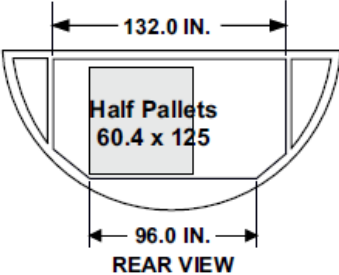
ULD DIMENSIONS	LATERAL POSITION
<p>P1</p>  <p>64.0 IN. 125.0 IN. 88.0 IN.</p>	 <p>132.0 IN. P1 88 x 125 96.0 IN. REAR VIEW</p>
<p>LD-7</p>  <p>64.0 IN. 125.0 IN. 88.0 IN.</p>  <p>64.0 IN. 125.0 IN. 88.0 IN.</p> <p>Contoured</p>	 <p>132.0 IN. LD-7 88 x 125 96.0 IN. REAR VIEW</p>



Size Code M



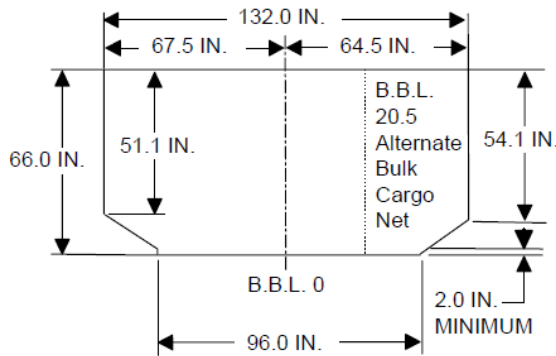
Size Code L

ULD DIMENSIONS	LATERAL POSITION
<p>LD-5 LD-11</p> 	 <p>REAR VIEW</p>
<p>LD-10</p> 	 <p>REAR VIEW</p>
<p>Half Pallet</p> 	 <p>REAR VIEW</p>



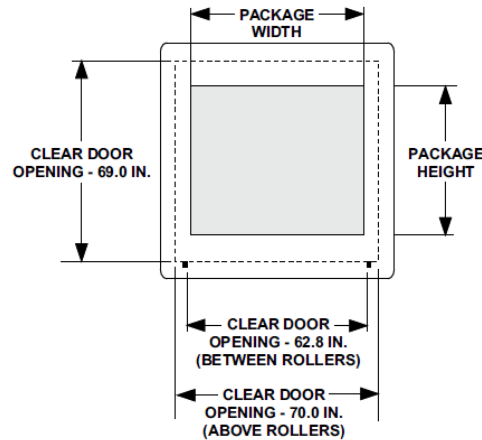
AFT LOWER DECK CAPACITY

Cross Section of AFT Hold



AFT Hold Door Dimensions

AFT Hold Package Size Chart

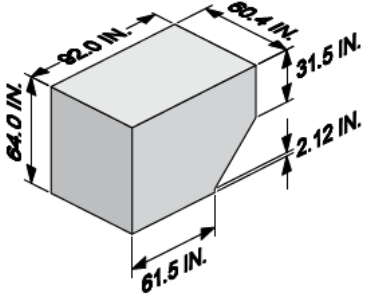
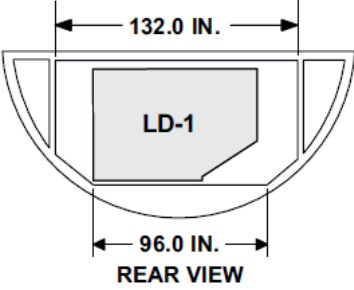
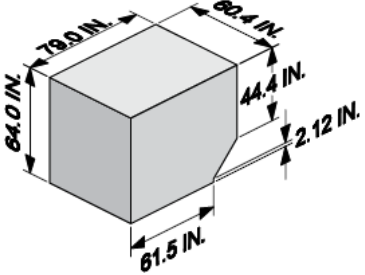
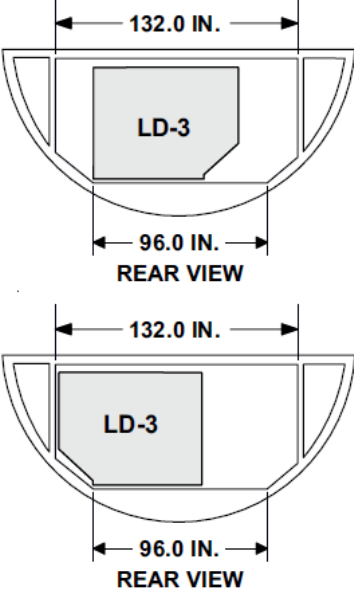


AFT COMPARTMENT ALLOWABLE PACKAGE SIZES							
HEIGHT IN.	WIDTH IN.						
	10	20	30	40	50	60	70
LENGTH IN.							
63.5 - 66.0	215	190	168	146	120	100	
63.4	241	211	188	167	148	130	110
60.0	257	227	200	178	159	140	120
51.1	257	257	228	201	179	157	137
40.0	257	257	239	210	185	162	138
30.0	257	257	239	210	187	167	145
20.0	257	257	239	210	187	168	152
10.0	257	257	239	210	187	171	156



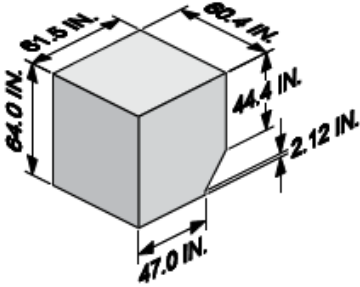
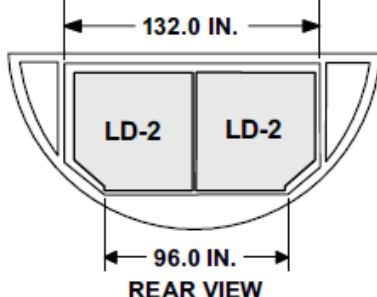
Certified ULD's for AFT Hold

Size Code K

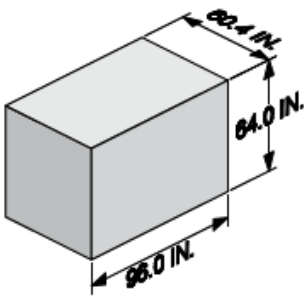
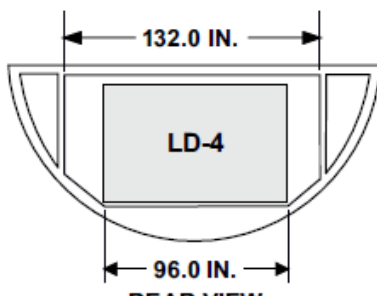
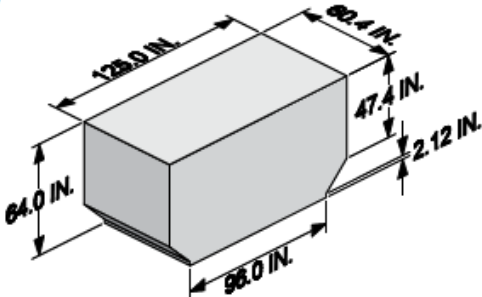
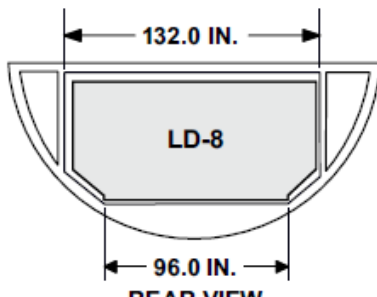
ULD DIMENSIONS	LATERAL POSITION
<p>LD-1</p> 	 <p>REAR VIEW</p>
<p>LD-3</p> 	 <p>REAR VIEW</p> <p>REAR VIEW</p>



Size Code P

ULD DIMENSIONS	LATERAL POSITION
<p>LD-2</p> 	 <p>REAR VIEW</p>

Size Code Q

ULD DIMENSIONS	LATERAL POSITION
<p>LD-4</p> 	 <p>REAR VIEW</p>
<p>LD-8</p> 	 <p>REAR VIEW</p>



Bulk Cargo Dimensioning

