



Factsheet

Pilatus PC-24

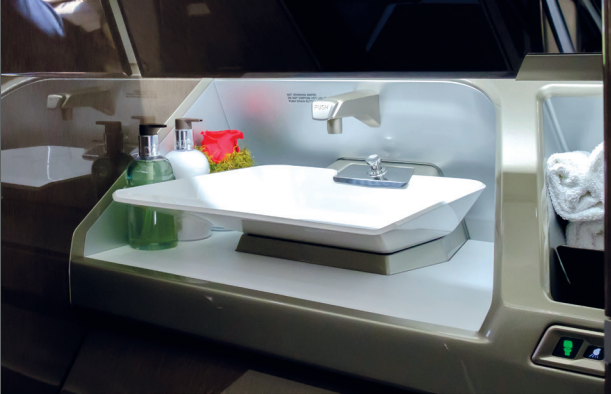
Cabin interior

Cabin length	7.01 m
Cabin height	1.55 m
Cabin width	1.69 m
Max. passengers	6 (optional 8)
Baggage	2.5 m ³ , accessible
Cargo door	1.30 m x 1.25 m
Galley	Snacks & light meals
Lavatory	1 front
Cabin environment	PC24 iCMS App
News, Media	On-board iPad

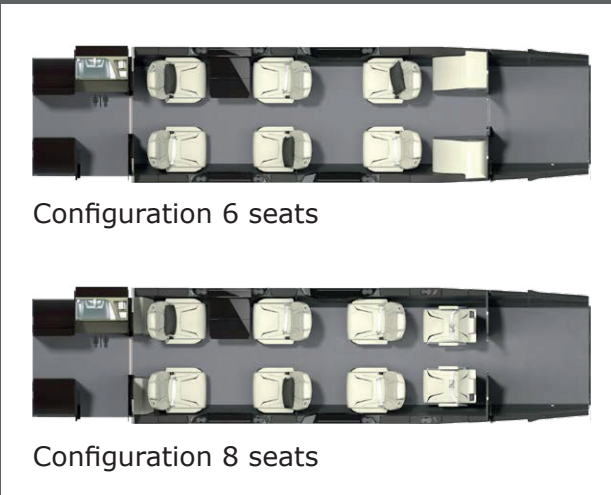
Aircraft specifications

Manufacturer	Pilatus Aircraft Ltd
Aircraft length	16.8 m
Wing span	17 m
Engines	2 x Williams Int FJ44
Max. cruising speed	815 kph, Mach 0.74
Max. cruising altitude	13'716 m, 45'000 ft
Max. range	2'976 km, 1'607 NM
Max. flight time	4 hours
Max. take-off weight	8'300 kg
Typical take-off distance	1'018 m
Typical landing distance	1'027 m
Runway operation	concrete, grass, gravel
Crew	2 pilots

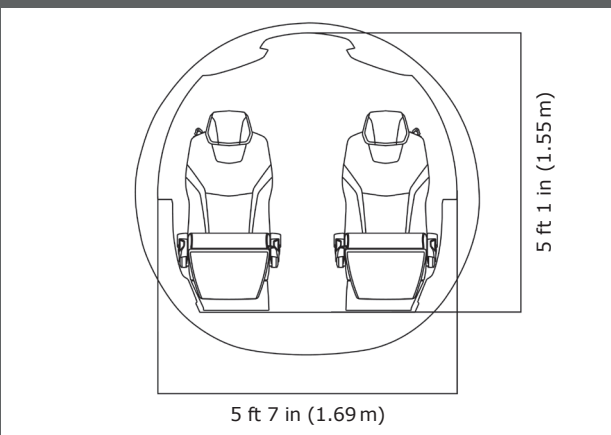
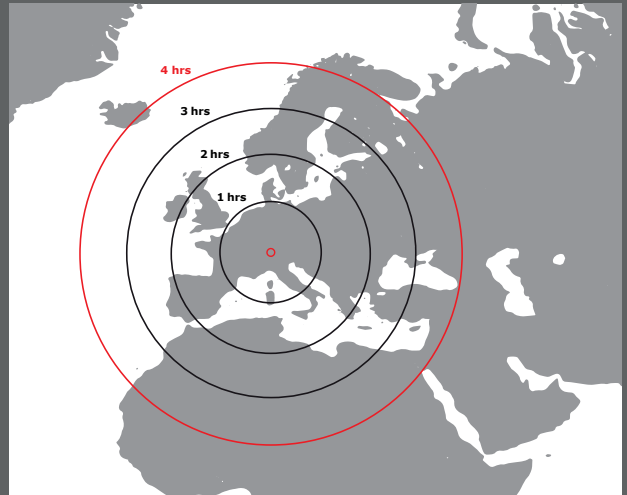
Cabin impressions



Cabin dimensions & configuration



Range Map



CAT AVIATION

Bookings

+41 44 814 00 66
info@cat-aviation.com
www.cat-aviation.com